

Roca

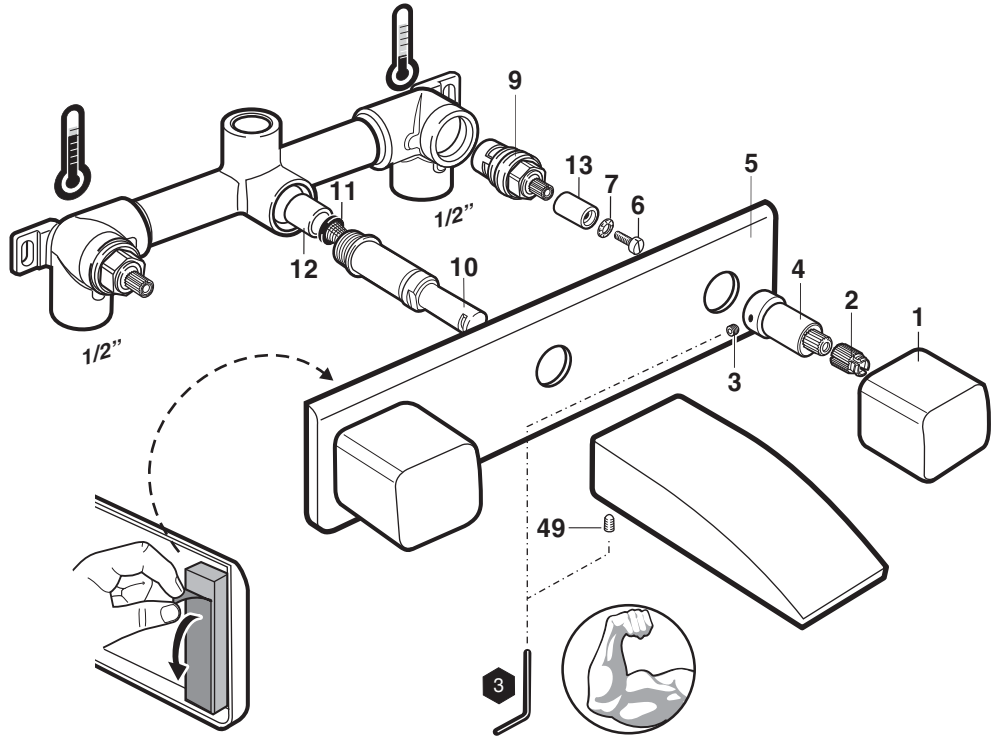
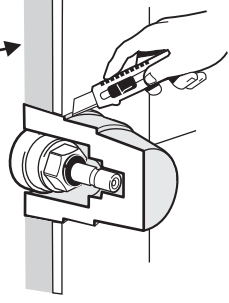
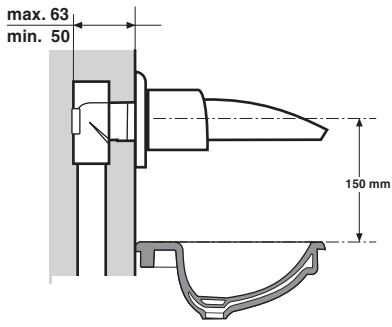
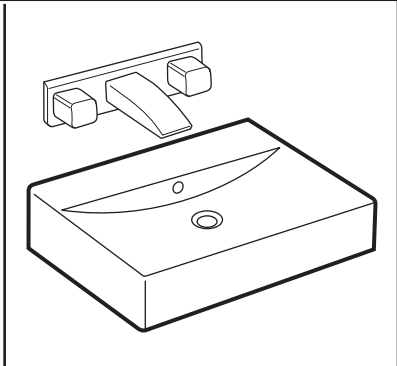
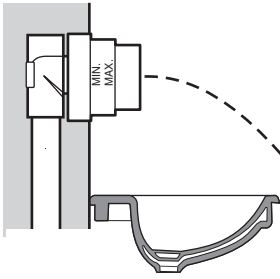
THESIS

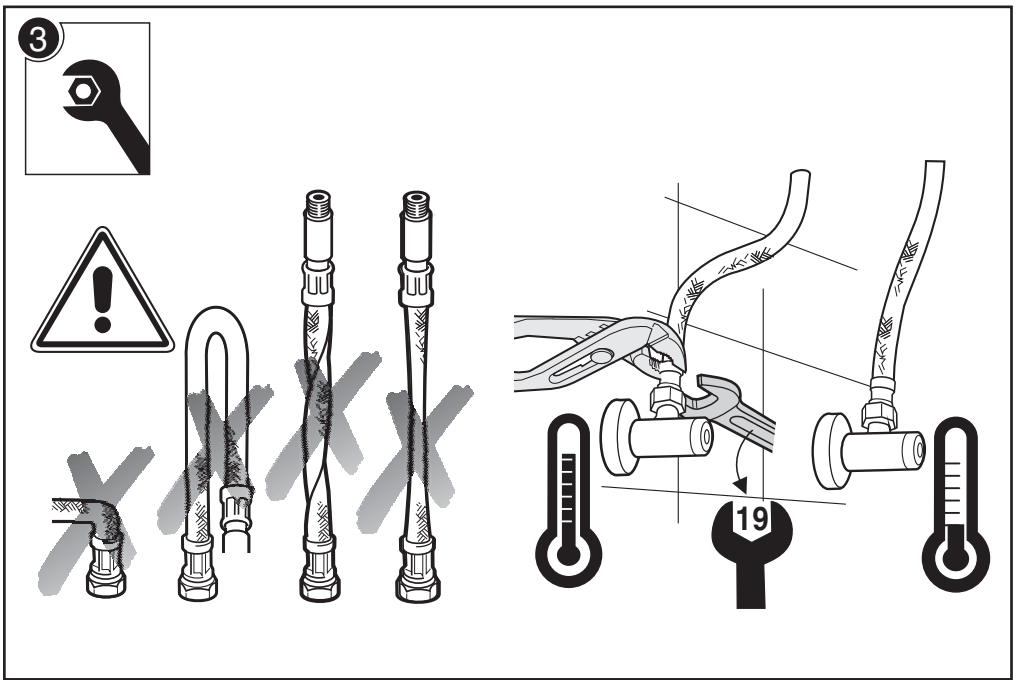
5A4550





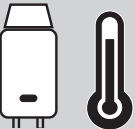

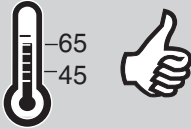


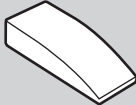



5A4450







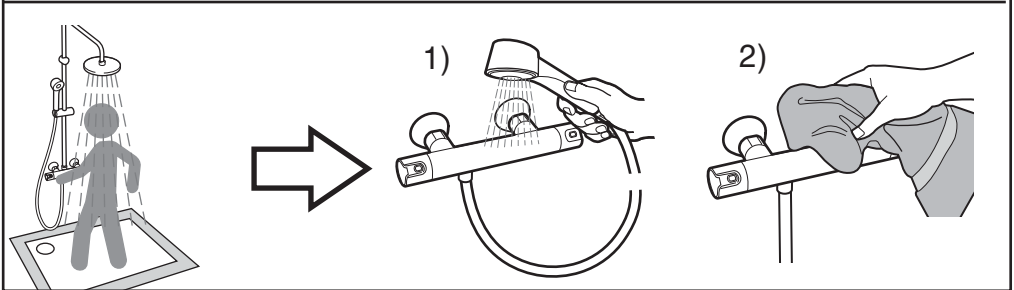
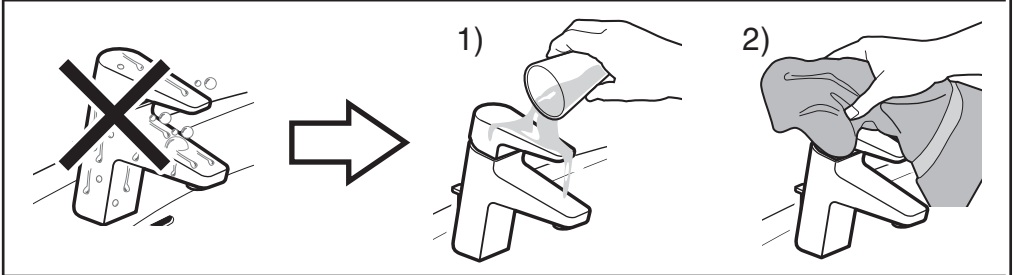
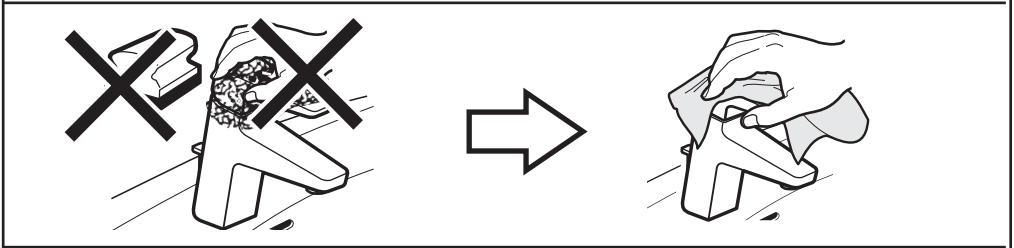
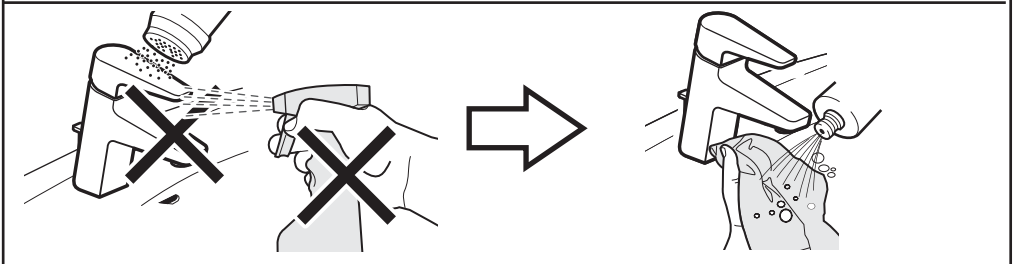
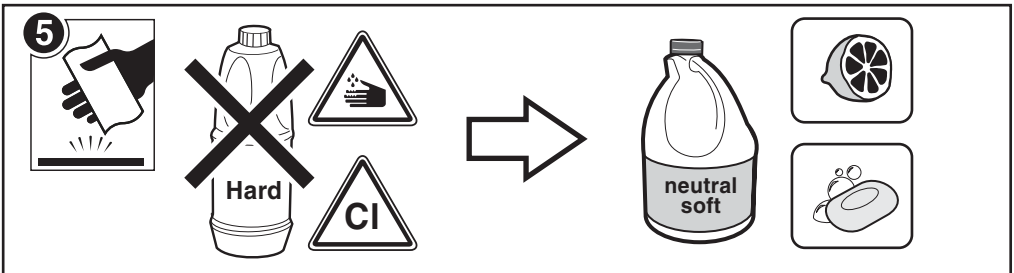
 P	P bar	 0,5 MAX. 10	 0 5 
 T	°C	 80 MAX.	 45 65 
 Q (3 bar)	l/min	 8	 16

1- 523823000
2- 523783707
3- 522664703
4- 522416903
5- 524814700
6- 522626703
7- 522760903

8- 522784303
9- 525158509
10- 542671203
11- 503358607
12- 525394107
13- 523542300
14- 522686600

15- 525771303
16- 522419103
17- 501111203
18- 522317803
19- 525392607
20- 525437100
21- 525001805

22- 525769309
23- 525770703
24- 522473919
25- 542625903



Roca Sanitario, S.A.
Avda. Diagonal, 513 -08029 Barcelona - SPAIN
Teléfono 93 366 1200 - Fax 93 419 4501-
www.roca.es

Roca