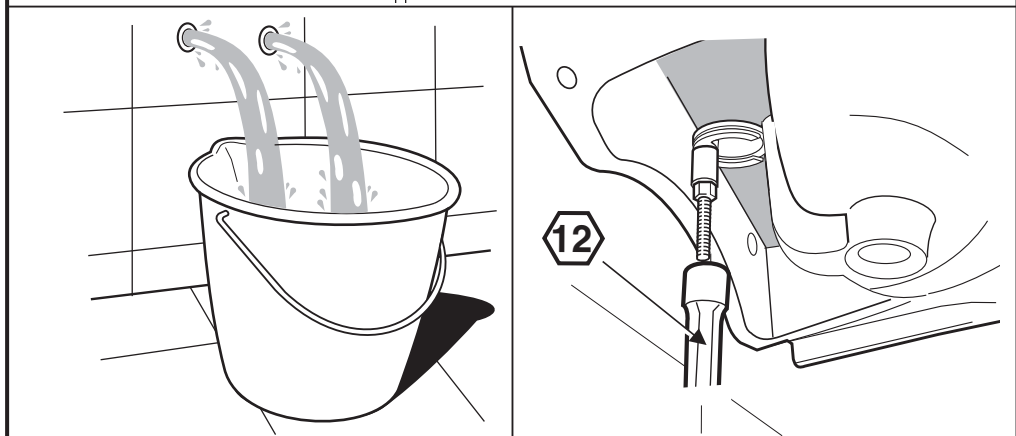
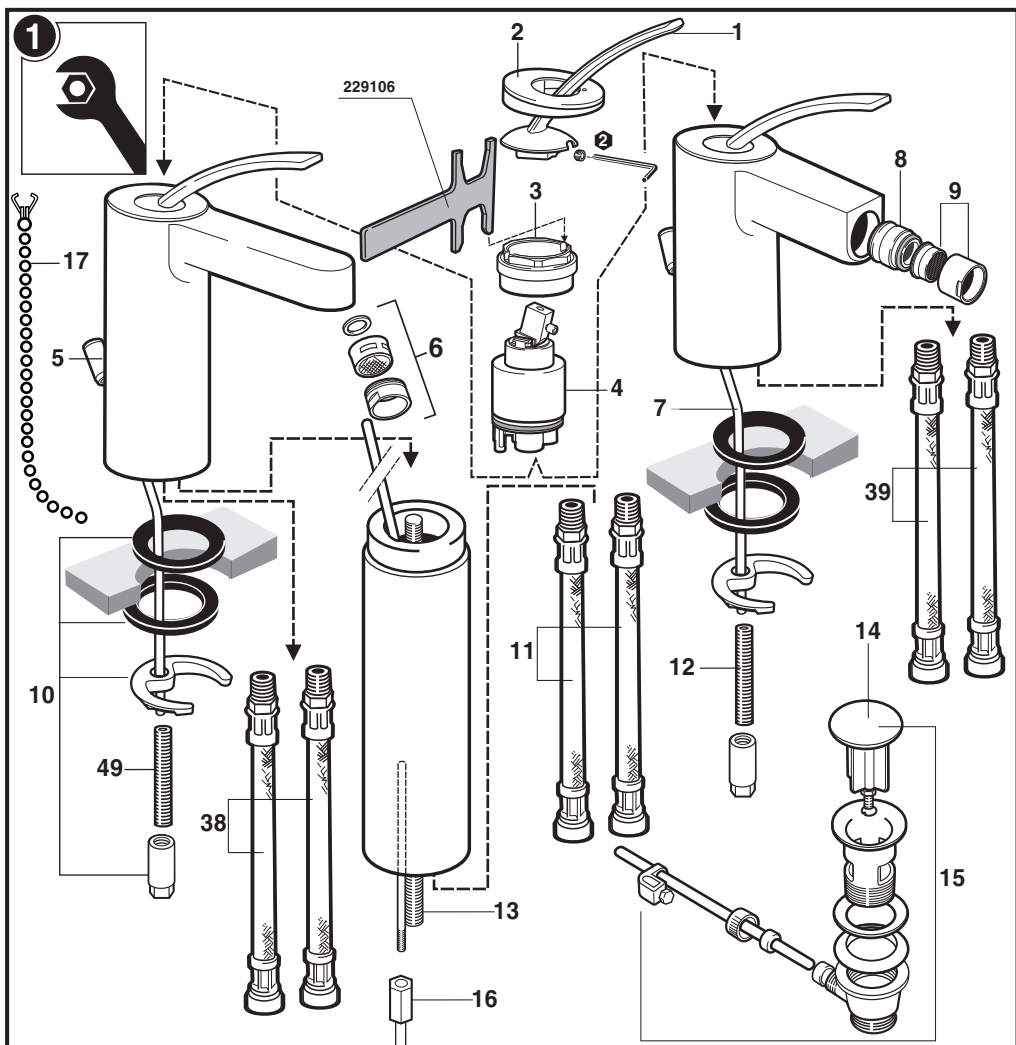




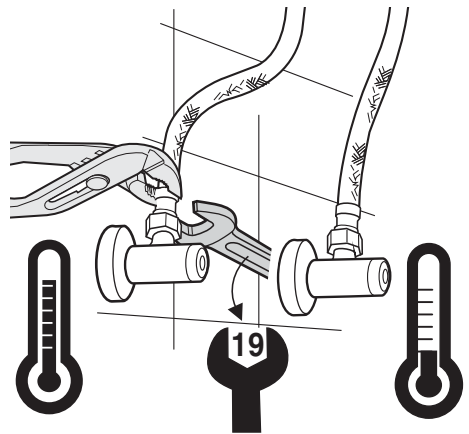
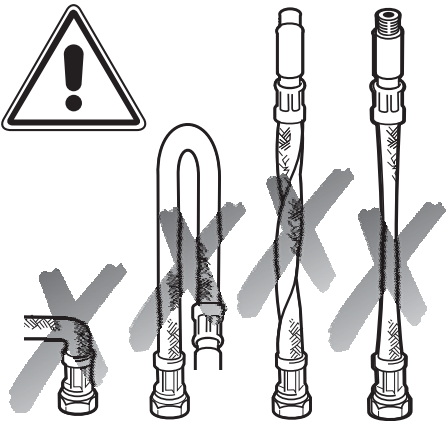
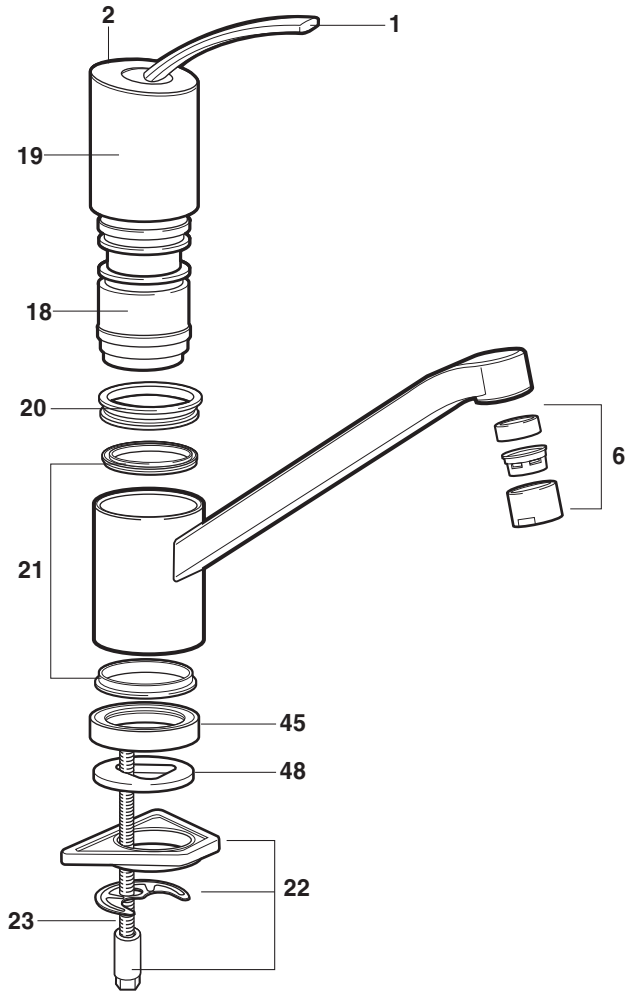
**Roca**

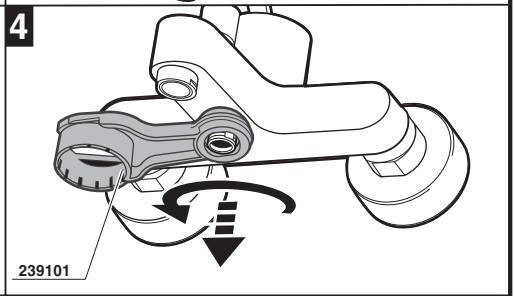
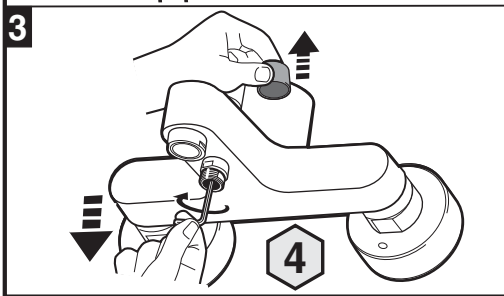
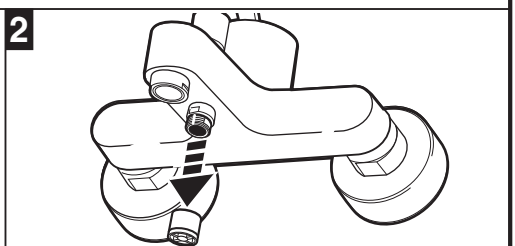
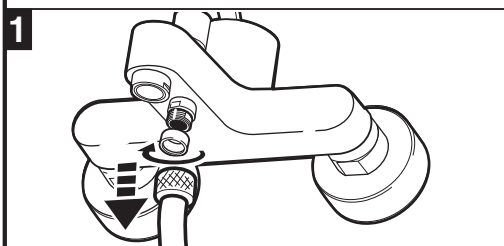
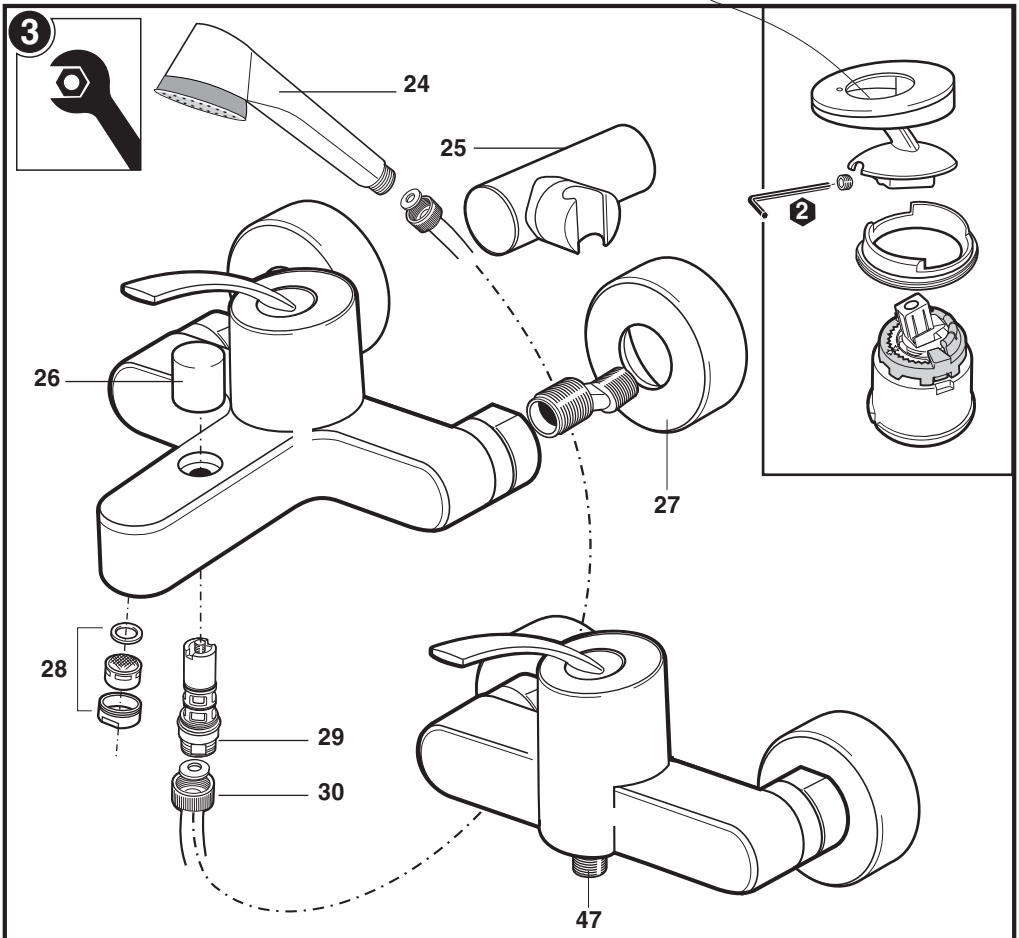
# MOAI



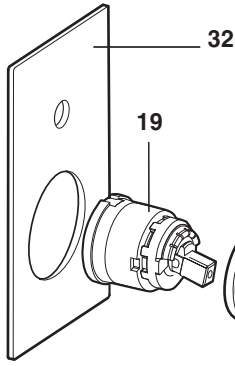
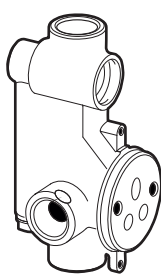
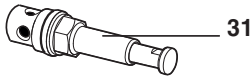


2





4



19

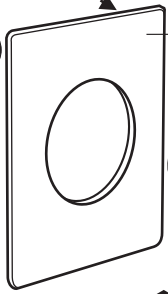
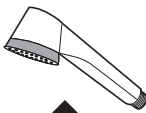
33

34

35

36

1



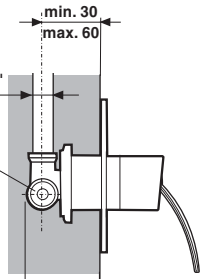
37

min. 30  
max. 60

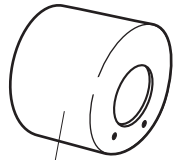
R 1/2"

R 1/2"

min. 45  
max. 75

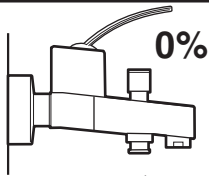


2

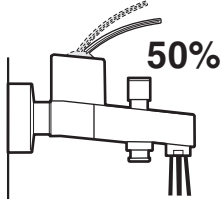


36

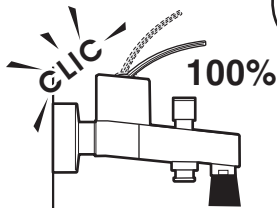
5



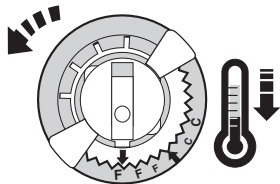
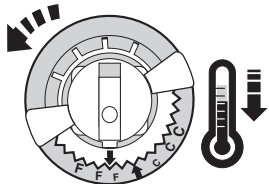
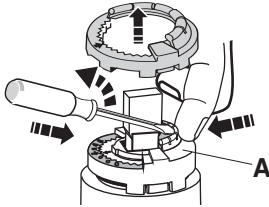
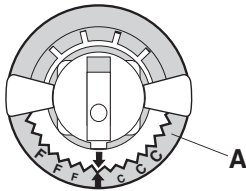
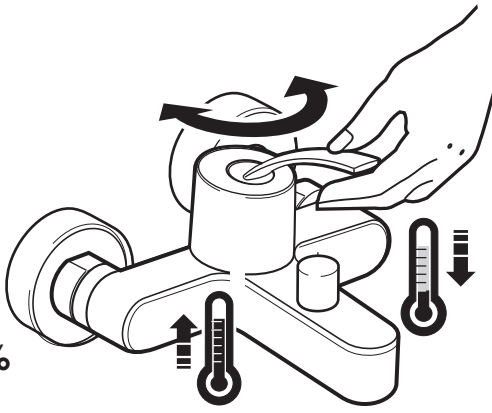
0%




50%



100%






 **P** P bar

MAX. 10  
0,5 

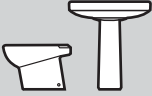
5  


 **T** °C

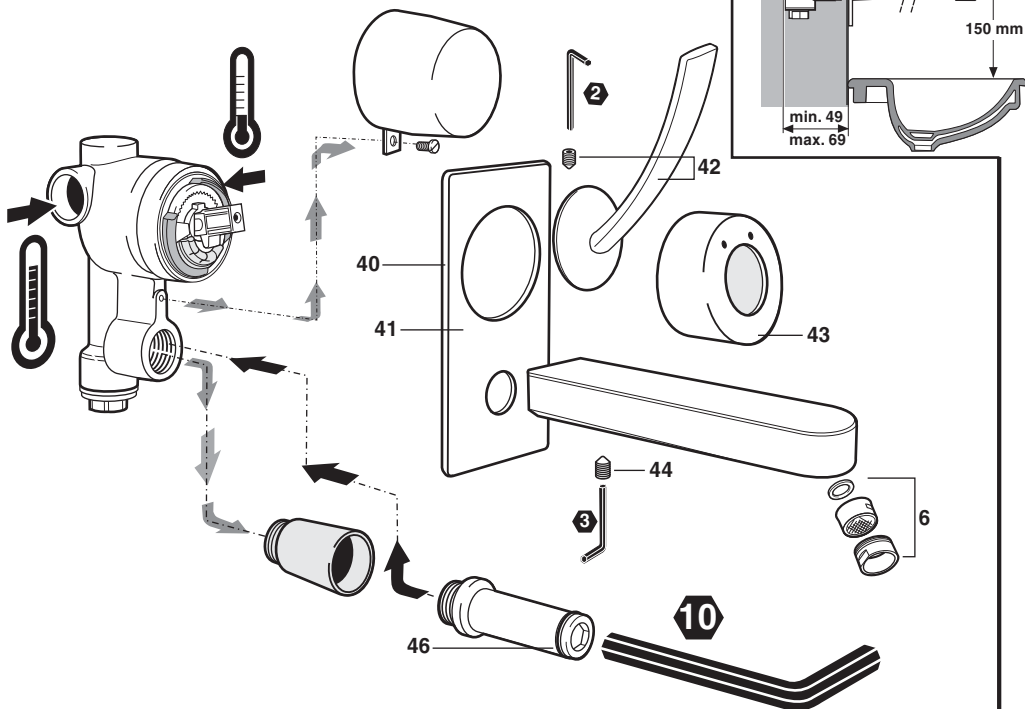
80 MAX. 

65 45  

 **Q** (3 bar) l/min

 12

 20

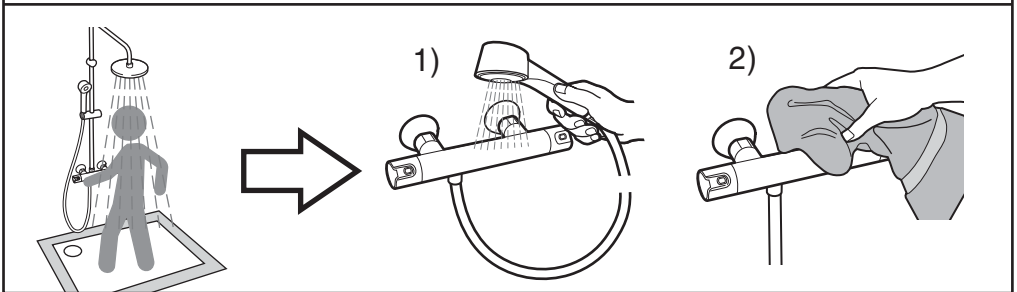
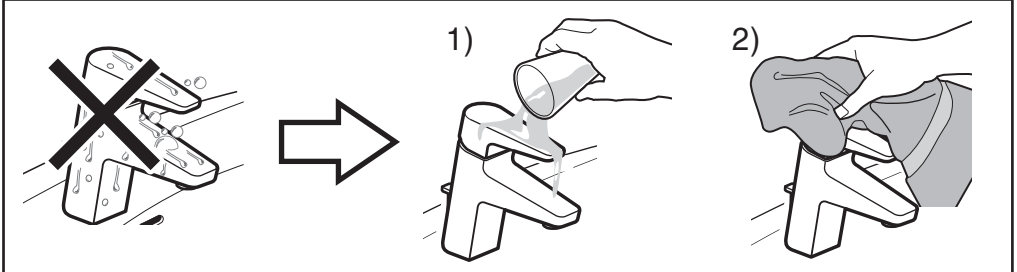
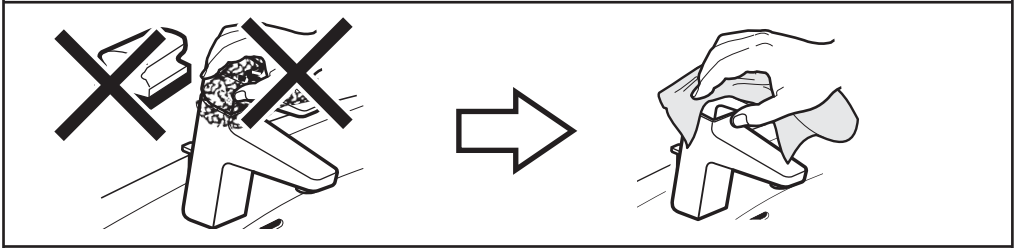
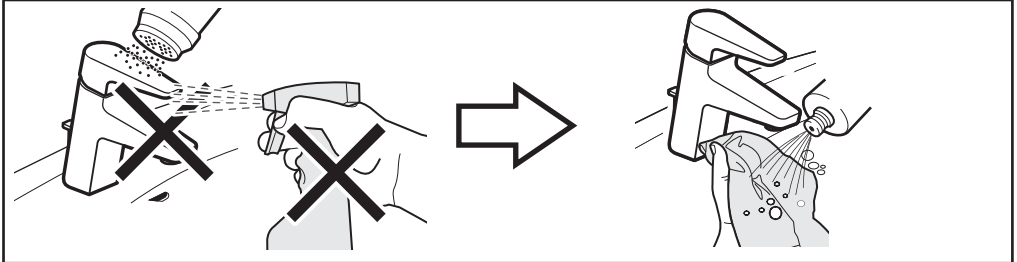
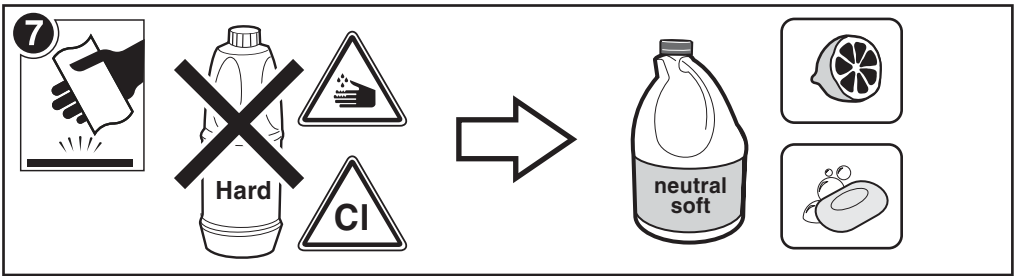


1 - 525839900  
 2 - 523813000  
 3 - 522634803  
 4 - 525941607  
 5 - 522542600  
 6 - 525391600  
 7 - 522472719  
 8 - 525551200  
 9 - 525391100  
 10 - 525766203  
 11 - 525769609  
 12 - 522663903  
 13 - 522665803

14 - 525001805  
 15 - 525437100  
 16 - 524470219  
 17 - 525728100  
 18 - 541102900  
 19 - 525081303  
 20 - 553352207  
 21 - 553352107  
 22 - 525700803  
 23 - 522663503  
 24 - 5B6046C00  
 25 - 505715700  
 26 - 523542100

27 - 542816600  
 28 - 525391500  
 29 - 525159100  
 30 - 525761100  
 31 - 525155100  
 32 - 521813100  
 33 - 522782403  
 34 - 543368907  
 35 - 522881100  
 36 - 542817300  
 37 - 521813200  
 38 - 525761409  
 39 - 525766809

40 - 553351507  
 41 - 521813000  
 42 - 525840800  
 43 - 542817200  
 44 - 522666303  
 45 - 522635000  
 46 - 542670303  
 47 - 523210900  
 48 - 553352007  
 49 - 522665103



**Roca Sanitario, S.A.**  
Avda. Diagonal, 513 -08029 Barcelona - SPAIN  
Teléfono 93 366 1200 - Fax 93 419 4501-  
[www.roca.es](http://www.roca.es)

**Roca**